

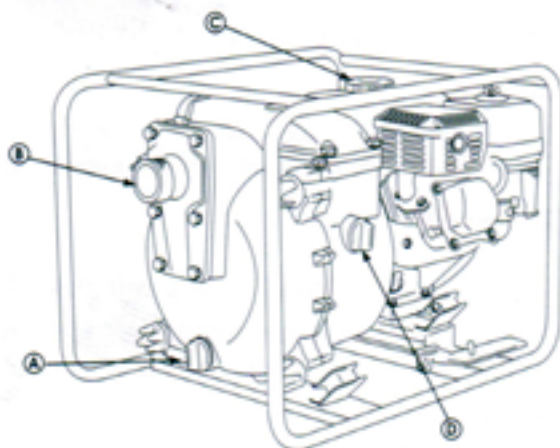


Godwin Wet-Prime Trash Pumps Operation & Maintenance Manual

Thank you for purchasing the gasoline-powered GTP-50HX, GTP-80HX, or GTP-100HX Godwin Wet-Prime Trash Pump. This manual provides an operation overview. Be sure to read this manual and your engine manual before operation.

Pump View

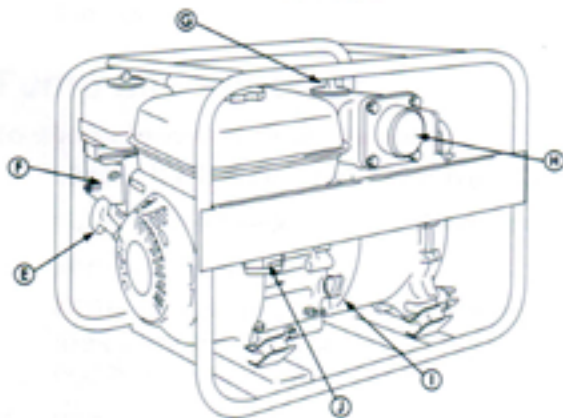
GTP - Front View



Components

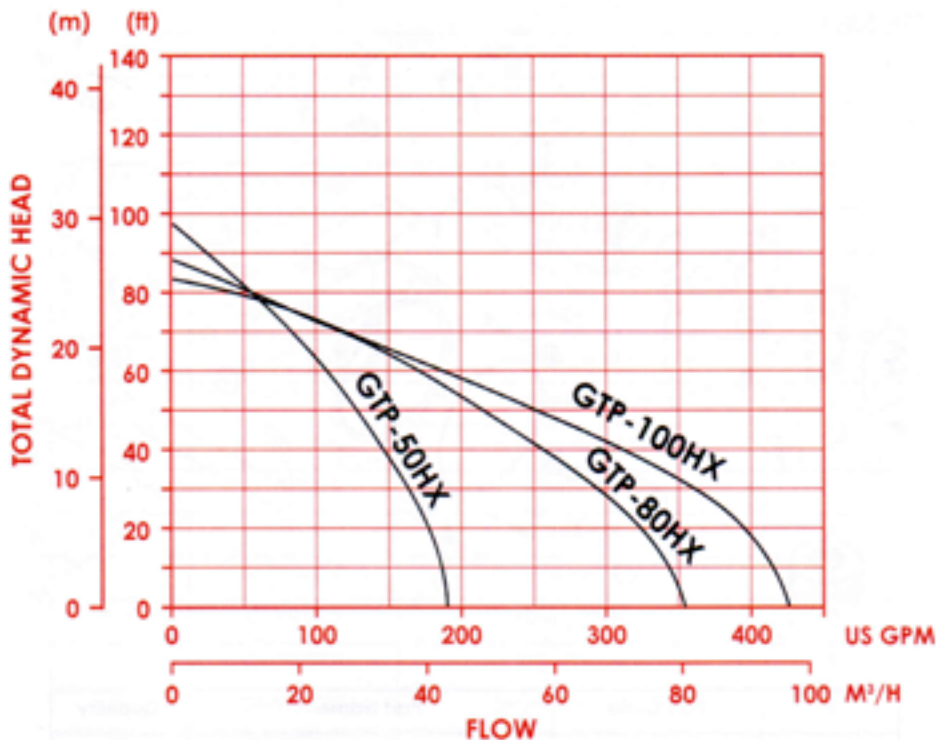
- A - Pump Drain Plug
- B - Suction
- C - Fuel Cap
- D - Impeller Access Port

GTP - Rear View



- E - Starter Cord
- F - Throttle, Choke, Fuel Valve
- G - Priming Port
- H - Discharge
- I - Oil Fill Plug
- J - Ignition

Performance Curve



Specifications

TYPE		GTP-50HX	GTP-80HX	GTP-100HX
P U M P	Suct/Disch Dia:	2" (50 mm)	3" (80 mm)	4" (100 mm)
	Conn Thread:	NPT PS	NPT PS	NPT PS
	Max Head:	98' (30 m)	89' (27 m)	82' (25 m)
	Max Flow:	185 GPM (42 m³/h)	354 GPM (80 m³/h)	422 GPM (96 m³/h)
E N G I N E	Model:	Honda GX160	Honda GX240	Honda GX340
	Exhaust Vol:	163 cc	242 cc	337 cc
	Output:	5.5 HP/4000 RPM (4.0 kW/4000 RPM)	8.0 HP/3600 RPM (5.9 kW/3600 RPM)	11.0 HP/3600 RPM (8.1 kW/3600 RPM)
	Fuel Tank Cap:	0.95 gal. (3.6 l)	1.59 gal. (6.0 l)	1.72 gal. (6.5 l)
	Fuel:	Unleaded Gasoline		
	Starting Method:	Recoil Starter		
Net Weight:		104 lbs. (47 kg)	128 lbs. (58 kg)	174 lbs. (79 kg)